

High Pressure Multistage Valve Intermittent Blowdown Valve (ACTx85)

ANSI STANDARD

NB 1/2" -3"	CLASS 900-2500
ACTW 85	BUTT WELD
ACTM 85	SOCKET WELD
ACTA 85	FLANGED

DIN STANDARD

DN 15-80	PN 160-400
ACTS 85	BUTT WELD
ACTF 85	FLANGED

The ACT x 85 Three Stage Angle Pattern Valve is Suitable for High Pressure Intermittent Blow Down Service. Typical applications for this valve are Boiler Drum Intermittent Blow Down Lines. These valves are designed for pressure drops as high as 200 bar.

The Multistage Valve design integrates the advantages of a High Pressure Stop Valve Design and the Reliability of a High Pressure Reduction Valve.

The Valve has a replaceable seat bush with stellite deposition at the seat. Slots in the seat bush and control plug are designed such that the spindle is guided throughout its travel by the seat bush eliminating the harmful effects of vibration. Velocities are restricted to 2-3 m/s inside the valve when used on hot water services. For short duration, velocities may exceed these values but not more than 5 m/s. This is done to limit the damage due to cavitation and flashing associated with drain of condensate at high pressure. Individual stages in the valve are designed so as to accommodate the increased specific volume of the medium.

The valve yoke is provided with a roller thrust bearing for ease of operation. High density pure graphite rings and roller burnishing of spindle and stuffing box bore, eliminate leakage through gland packing.



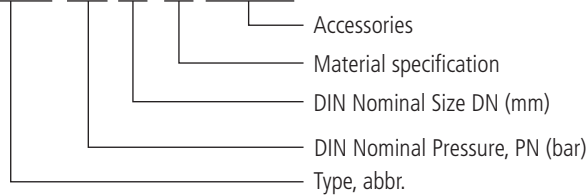
Size	Area of Stage(mm ²)			Kv
	I	II	III	
1" (25mm)	54	82	132	1.7 m3/hr
2" (50mm)	177	255	407	5.4m3/hr

Valve operation can be done by a hand wheel or with an electrical actuator without major modification to the yoke.

Butt weld and socket weld ends are standard. Flanged ends can be supplied as special.

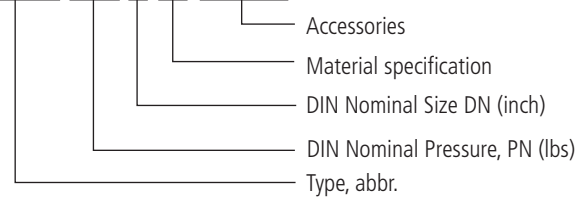
Example for Designation of Multistage Valves

ACTS 85 .400 .25 .01 .33F10B1



Example for Designation of Multistage Valves

ACTW 85 .2500 .1 .01 .33F10B1

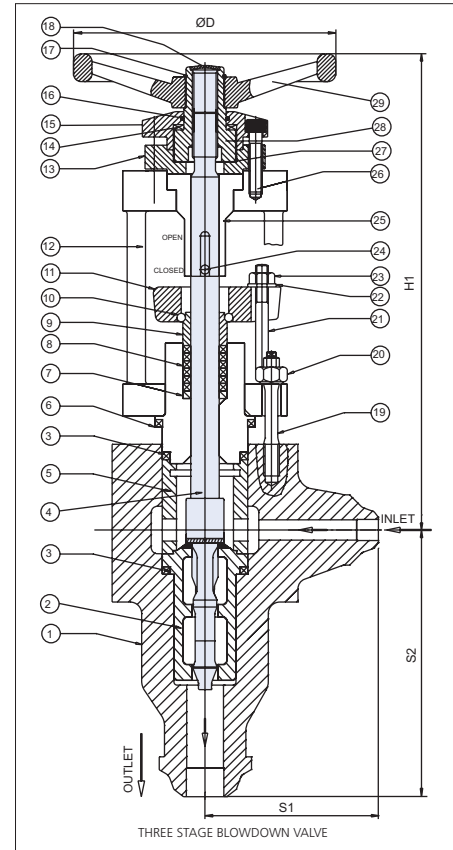


Part List

Sr.	Description	Qty	Matl. Spec. 01/13/17
1	Body	1	ASTM A 105/A182 F22/A182 F316
2	Seat Bush Bottom •	1	ASTM 276 Gr 431(Nitrided)
3	Gasket •	2	Pure Graphite
4	Spindle •	1	ASTM 276 Gr431 (Nitrided)
5	Seat Bush Top •	1	ASTM 276 Gr 431(Nitrided)
6	Stuffing Box Piece	1	ASTM A 105/A182 F22/A182 F316
7	Bottom Ring	1	ASTM 276 Gr 410
8	Packing •	1 Set	Pure Graphite
9	Stuffing Box Pipe	1	ASTM 276 Gr 410
10	Thrust Ring	1	ASTM 276 Gr304
11	Gland Flange	1	ASTM A105
12	Bonnet	1	ASTM A 105/A182 F22/A182 F316
13	Distance Piece	1	C 20
14	Bearing	1	AXK 2542
15	Cover	1	ASTM A 105
16	O Ring	1	VITON
17	Circlip	1	SS
18	Sealing Washer	1	CRCA Sheet
19	Body Stud	4	ASTM A193 B7
20	Nut	4	ASTM A194 2H
21	Gland Flange Stud	2	ASTM A193 B7
22	Washer	2	C45 Steel
23	Gland Flange Nut	2	ASTM A194 2H
24	Guide Pin	1	ASTM A276 410
25	Bush	1	ASTM A276 410
26	Allen Bolt	4	Gr.12.9
27	Slide Ring	1	Spring Steel
28	Yoke Bush •	1	Brass (Alternative Material On Request)
29	Hand Wheel	1	SG Iron

Note: Recommended Spares indicated by Dot (•) against the Part Number

MAXIMUM WORKING PRESSURE KG/CM2															
Matl. Spec	Body Matl.	Class	Working Temperature Deg. C.												
			93	149	204	260	315	343	371	399	427	454	510	538	593
01	A105	1500	237	230	223	210	192	188	157	177	144				
		2500	395	384	371	350	320	314	312	295	241				
13	A182 F22	1500			227	225	212	206	199	187	178	171	132	94	39
		2500			379	374	354	344	332	311	297	285	221	156	55



DIN DN	ANSI DN	DIMENSIONS IN MM				WEIGHT KGS	
		HI	D	S1	S2		
25	160 250	1"	900 1500	290	170	~100 ~150	~12
40	160 250	1 1/2"	900 1500	440	170	~125 ~200	~30
50	160 250	2"	900 1500	440	170	~125 ~200	~30
80	160 250	3"	900 1500	440	250	~125 ~200	~70

SN Standardized Accessories of Design

- SN 25 Copper free material
- SN 33 Valve Yoke with connection acc. ISO 5210/DIN 3210
- SN 33.4 Valve Yoke for pneumatic actuator



www.forbesmarshall.com

Forbes Marshall Pvt. Ltd.
A-34/35, MIDC, Industrial Estate, 'H' Block, Pimpri, Pune - 411 018. India.
Tel.: 91(0)20 - 27442020
Fax: 91(0)20 - 27442040 E-mail: aganorkar@forbesmarshall.com

Domestic: Ahmedabad, Alibag, Bangalore, Bhopal / Indore, Chandigarh, Chennai, Coimbatore, Delhi, Hyderabad, Jamshedpur, Kolkata, Mumbai, Nagpur, Navi Mumbai, Surat, Trichy, Vadodara, Visakhapatnam
International Operations: exp@forbesmarshall.com
Bangladesh, Canada, Egypt, Indonesia, Iran, Kenya, Malaysia, Nepal, Sri Lanka, Thailand, U.A.E. (Instrumentation) (Boilers & Boiler Accessories)USA,



Trusted Partners.
Innovative Solutions.